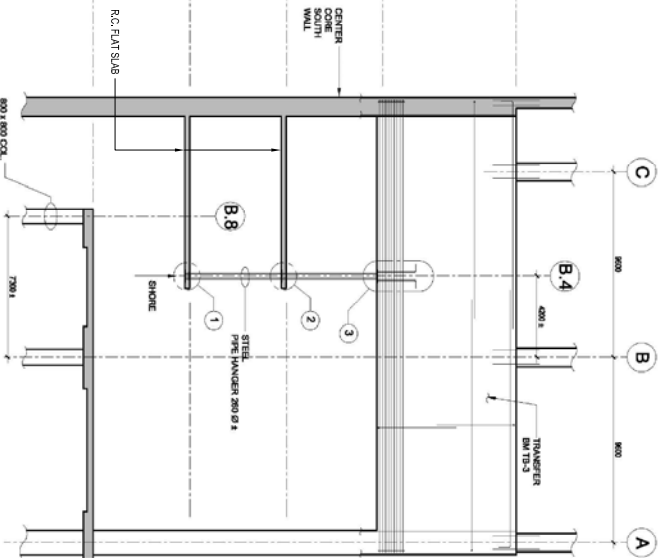
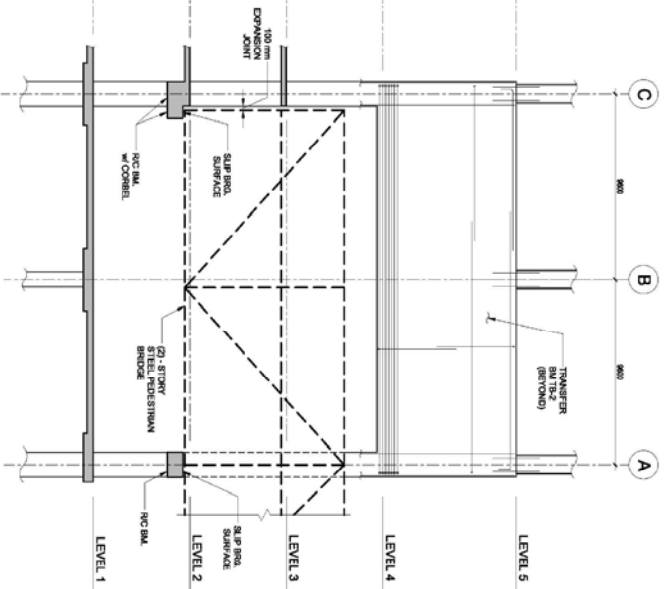


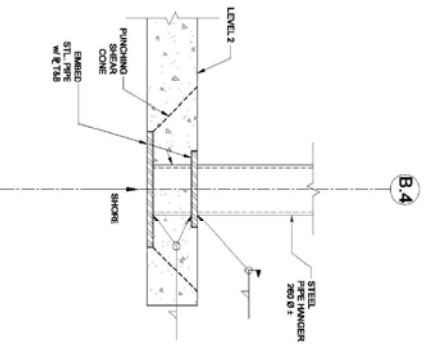
ENLARGED ELEVATION AT LINES 9 & 10
SCALE 1:100
NOTE: 1. ALL DIMENSIONS IN MM, U.N.O.



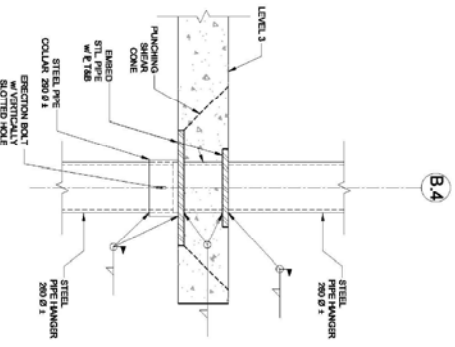
ENLARGED ELEVATION AT LINES 6, 7, & 8
SCALE 1:100
NOTE: 1. ALL DIMENSIONS IN MM, U.N.O.



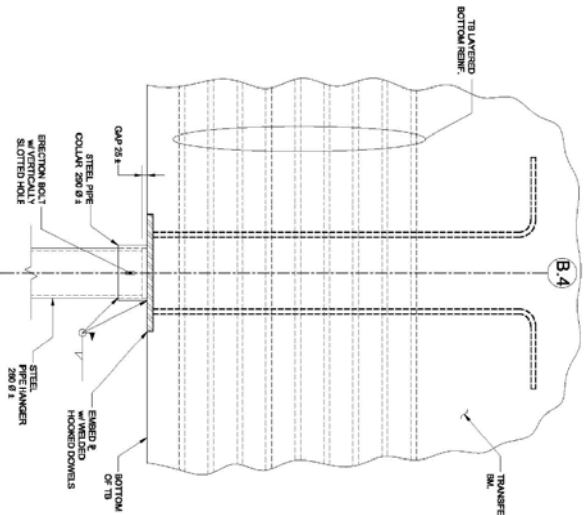
ENLARGED ELEVATION AT BRIDGE BTW. LINES 4 & 5
SCALE 1:100
NOTE: 1. ALL DIMENSIONS IN MM, U.N.O.



1 TYPICAL DETAIL AT PIPE HANGER
AT LEVEL 2
SCALE 1:10



2 TYPICAL DETAIL AT PIPE HANGER
AT LEVEL 3
SCALE 1:10



3 TYPICAL DETAIL AT TOP OF PIPE
HANGER / BOTTOM OF TRANSFER BEAM
SCALE 1:10